

Dansereau Dental Equipment Install Specifications

Clean Flow Oil - Less Air Compressors



Dansereau Health Products, Inc.
1581 Commerce Street
Corona, CA 92880

UL - 60601 Issued 2003/04/25 Ed.
Rev 2006/004/26
CSA C22.2#601.1 Issued 1990/01/01 / (R2005)
USFDA Medical Device Lic.# 2027216

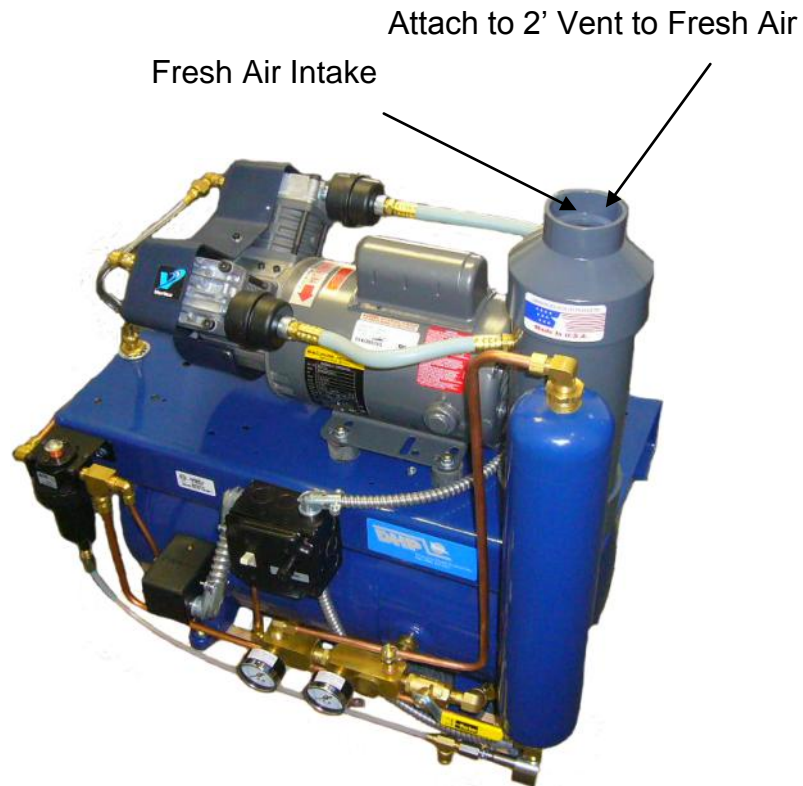
DHP Clean Flow Oil Less Air Compressor

AIR COMPRESSOR SYSTEM

The Oil Less Air Compressor is installed in a Utility Room in the typical dental office and is used for supply clean dry air to the pneumatic dental handpiece and dental 3 way syringe in order to perform procedures in the patients oral cavity. Recent changes in the dental industry have requested Fresh Air Intakes be provided for Oil Less Dental Air Compressor in an effort to ensure quality air is used in the Oil Less air compressor system.

1) Fresh Air Intake: The function of the Fresh Air Intake is for outside air, through the use of a 2 Inch Vent Pipe, be installed to the Oil Less dental air compressor intake filters. This will ensure the quality of air is not impacted by the internal environment in the Utility Room.

Picture Below:



2) Boost Transformer: The function of the Boost Transformer is to increase the incoming line voltage to the Air Compressor. The voltage in some areas may be below the required level to properly operate the Oil Less Air Compressor. All Oil Less Air Compressors require a 120volt or 208volt incoming electrical source, if the power source fluctuates or does not meet this requirement a Boost Transformer will be required. It is rare to not have adequate voltage within the USA or North America. Refer to a licensed electrician if you have questions regarding your power source.

DHP Clean Flow Oil Less Air Compressor

Installation Requirements:

- 1) 5" x 5" Utility Room requires No Less Than 5 Air Changes Per Hour with Ventilation Fan
- 2) Dental Oil Less Air Compressor cannot be installed in Patient Care Area. Oil Less Air Compressor has a Potential Risk of Safety Hazard and consideration must be taken to ensure Air Compressor must not be installed adjacent to Patient Care Area. It is recommended the Utility Room has a lock only permitting staff and authorized personnel entrance to room.
- 3) Oil Less Dental Air Compressor Requires Dedicate Electrical Circuit (Refer to Page 4). Oil Less Dental Air Compressor is supplied with Main Supply Power Disconnect. Oil Less Air Compressor requires 3 inch clearance from adjacent structures or walls.

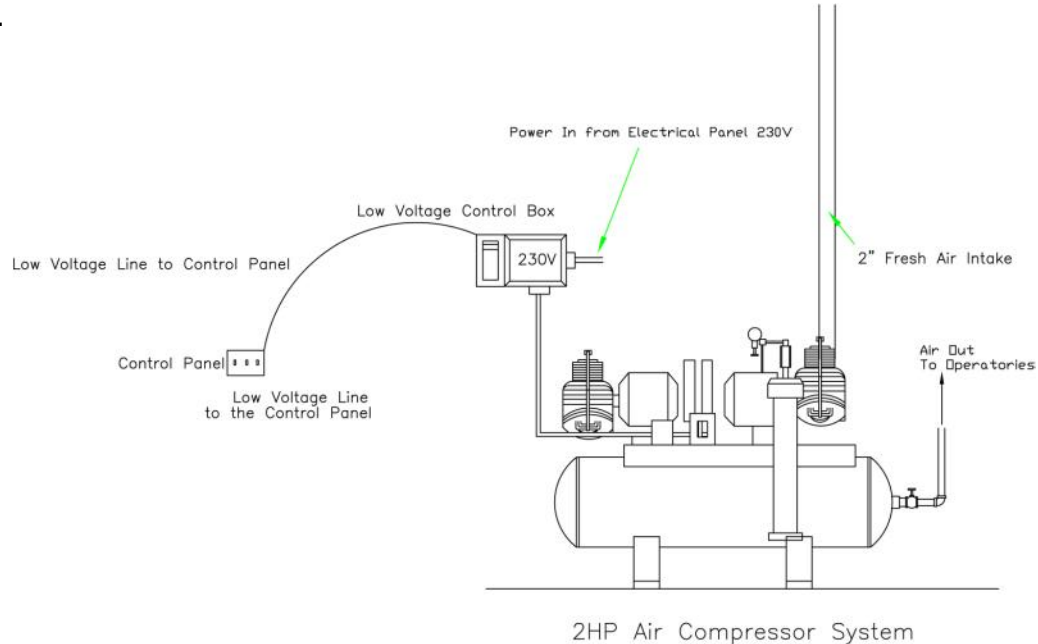
Electrical Requirements:

Line Voltage: Page 4 for Dual or Single Motor Compressor

Low Voltage: The Oil Less Air Compressor does not have a low voltage system for ON/OFF capability. You can install a Low Voltage Control Box, offered by Dansereau, to allow for ON/Off Low Voltage Capabilities..

Plumbing Requirements:

- 1) Air Line: 1/2" Copper Air Line will operate up to 15 operatories with no drop in air pressure.



Fresh Air Intake is not required in all Building Department Jurisdictions. Check with local building codes. Ensure the Fresh Air Intake, when installed above the roof line the is appropriate protections for the entrance of weather elements (Rain, Snow) and foreign elements (Bird Nests).

DHP Clean Flow Oil Less Air Compressor

Clean Flow 1001



Clean Flow 1001 Specifications

Total Horsepower - 1
Total air delivery at 80 -100 PSI - 4.7 CFM
Air Tank Capacity - 11 gallons
Sound level - 62db
Maximum Users - 3 - 4

Weight and Dimensions

Weight - 180 lbs. / 220 lbs. w/pallet
Height - 30 inches
Width - 24 inches
Length - 28 inches

Electrical Requirements

Voltage requirements: 120V / 240V*

1 horsepower - Single

*120V / 20 amp dedicated circuit

Current Amperage 14A 50/60hz

*240 V / 20 amp dedicated circuit

Current Amperage 7A 50/60hz

208 Line Voltage may require Buck Booster

Recommended:

Wire Size - 12 AWG

Circuit Breaker - 20 Amp

Clean Flow 2002



Clean Flow 2002 Specifications

Total Horsepower - 2 HP Dual
Total air delivery at 80 -100 PSI - 9.4 CFM
Air Tank Capacity - 11 gallons
Sound level - 62db
Maximum Users - 5 – 7

Weight and Dimensions

Weight - 240 lbs. / 280 lbs. w/pallet
Height - 30 inches
Width - 24 inches
Length - 28 inches

Electrical Requirements

Voltage requirements: 240V*

2 horsepower - Dual

*240 V / 20 amp dedicated circuit

Current Amperage 7A 50/60hz

208 Line Voltage may require Buck Booster

Recommended:

Wire Size - 12 AWG

Circuit Breaker - 20 Amp

DHP Clean Flow Oil Less Air Compressor

Clean Flow 3003



Clean Flow 3003 Specifications

Total Horsepower - 3
Total air delivery at 80 -100 PSI - 4.7 CFM
Air Tank Capacity - 30 gallons
Sound level - 62db
Maximum Users - 8 - 12

Weight and Dimensions

Weight - 310 lbs. / 345 lbs. w/pallet
Height - 34 inches
Width - 27 inches
Length - 38 inches

Electrical Requirements

Voltage requirements: 240V*
3 horsepower - Triple
*240V / 30 amp dedicated circuit
Current Amperage 21A 50/60hz
208 Line Voltage may require Buck Booster

Recommended:

Wire Size - 10 AWG
Circuit Breaker - 30 Amp

Clean Flow 4004

Picture Not Available

Clean Flow 4004 Specifications

Total Horsepower - 4 HP Quad
Total air delivery at 80 -100 PSI - 9.4 CFM
Air Tank Capacity - 30 gallons
Sound level - 62db
Maximum Users - 12 – 15

Weight and Dimensions

Weight - 425 lbs. / 480 lbs. w/pallet
Height - 34 inches
Width - 27 inches
Length - 41 inches

Electrical Requirements

Voltage requirements: 240V*
4 horsepower - Quad
*240 V / 40 amp dedicated circuit
Current Amperage 28A 50/60hz
208 Line Voltage may require Buck Booster

Recommended:

Wire Size - 10 AWG
Circuit Breaker - 40 Amp

DHP Clean Flow Air Compressor

AIR COMPRESSOR MOTOR SPECS:

Clean Air Flow Oil-Less Piston compressors are available in 120volt or 240volt - Single Phase. The Clean Flow Oil Less Piston all-aluminum design provides extended, service-free life as well as 15 percent lighter weight than conventional units. The Clean Flow Oil Less Piston Motors have a high capacity, permanently lubricated seal bearings plus high volumetric efficiency. They also feature a 90° V-design that results in low vibration and a high efficiency rating. The series is ideal for harsh duty applications or any application where AC voltage cannot be used.

AIR COMPRESSOR TANK:

Pressure Vessel Codes & Registrations:

Clean Flow Air Compressor Tank (Pressure Vessel) has been constructed in accordance with the ASME (American Society of Manufacturing Engineers) Section VIII.

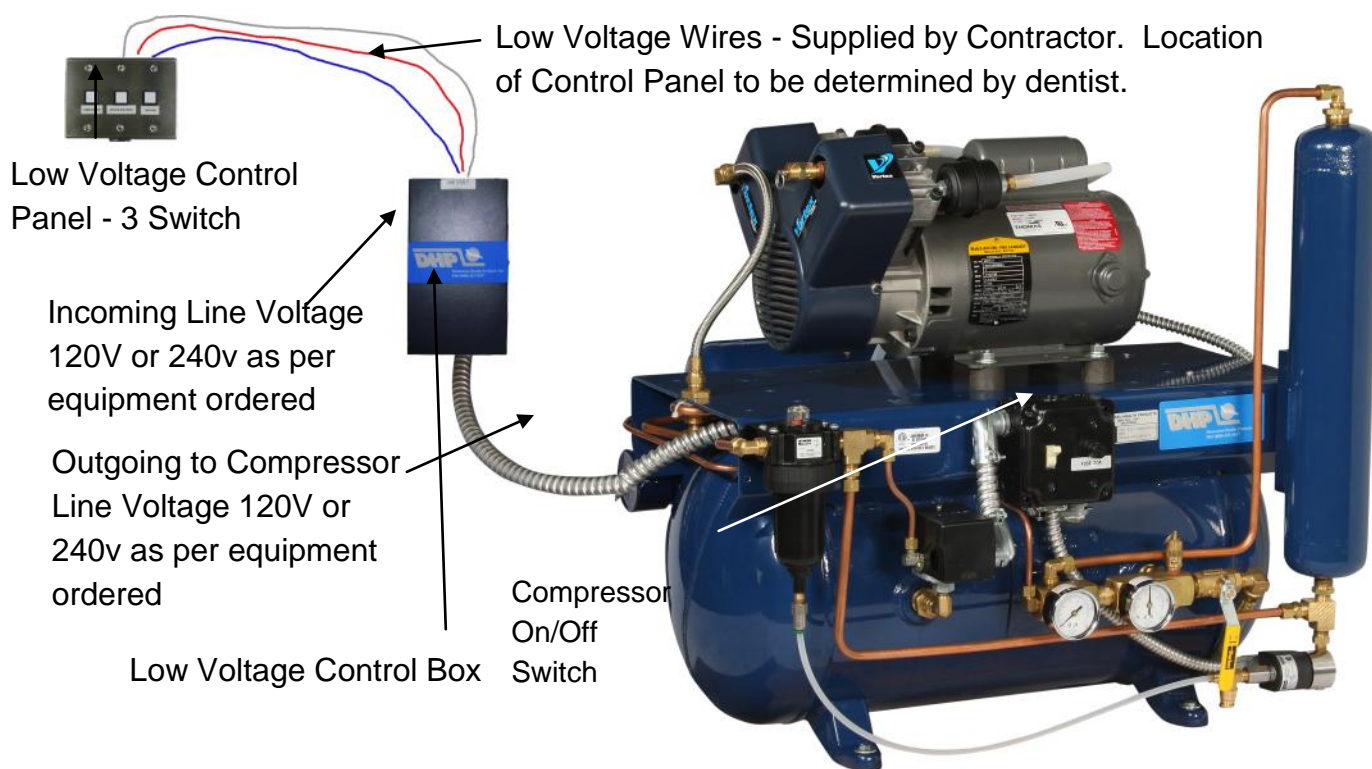
Division I Code latest edition and are registered with the National Board of Boiler and Pressure Vessel Inspectors.

Manufactured from carbon steel.

DHP Clean Flow Air Compressor - 1HP

SPECIAL NOTES:

- 1) Verify the Dental Air Compressor is 120V or 240V and the electrical source is compatible and dedicated circuit.
- 2) Be advised a **Low Voltage Control Box IE Transformer** may be used in turning the Dental Air Compressor On and Off through the use of a **Low Voltage Switch Panel**. The power source (120V or 240V) will install in the Low Voltage Control Box and the Dental Air Compressor electrical cable will install in the Low Voltage Control Box, the Dental Air Compressor will turn On and Off by the Low Voltage Control Panel. See Diagram below.



IT IS STRONGLY RECOMMENDED THAT A LICENSED ELECTRICIAN COMPLETE THE WIRING INSTALLATION OF ANY DHP DENTAL AIR COMPRESSOR

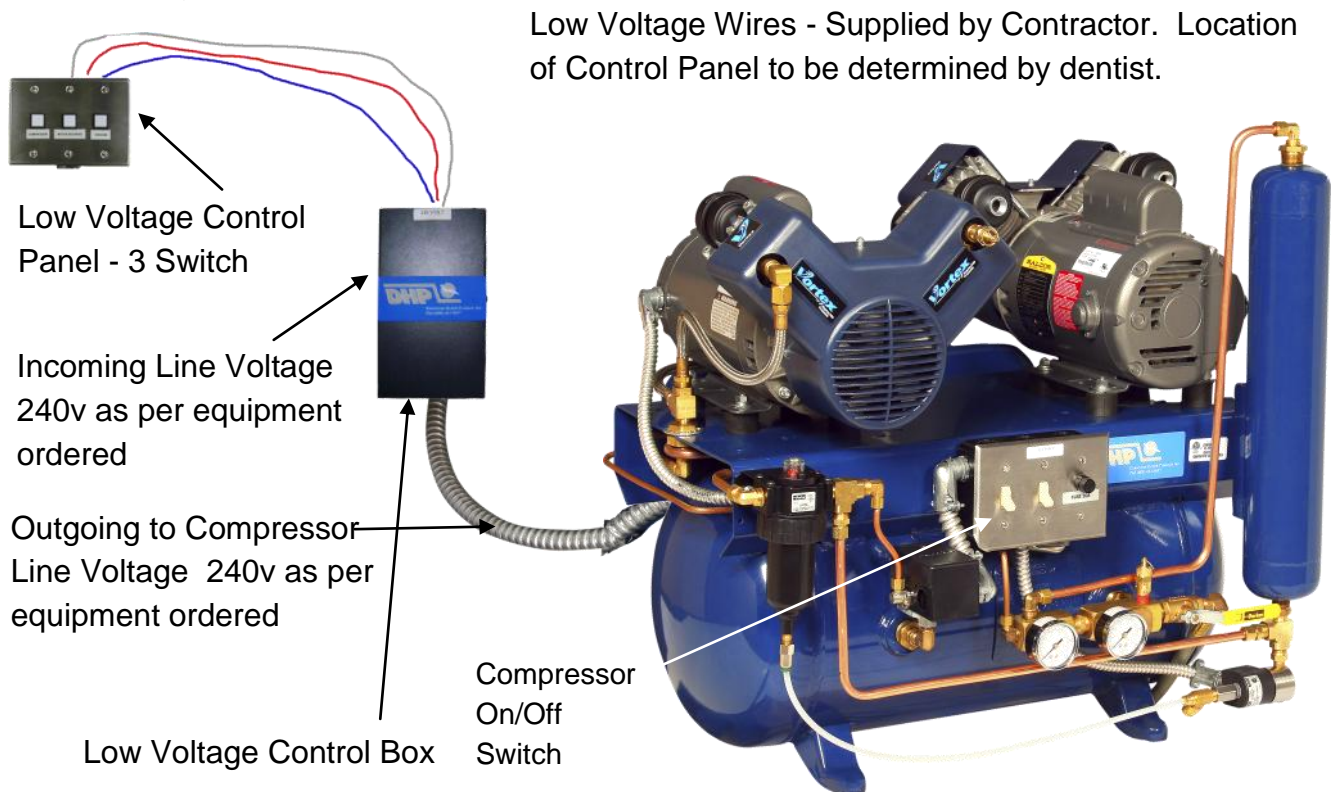
Electrical Connections

- 1) The DHP one horsepower Dental Air Compressor is shipped as a standard 120 volts (unless it is specified in writing a 240 volt model is required). The DHP two horsepower Dental Air Compressor is shipped as a standard 240 volts (the two horsepower Dental Air Compressor is available in 240 volt only). Voltage lower than 220v recommend Boost Transformer.

DHP Clean Flow Air Compressor - 2HP Dual

SPECIAL NOTES:

- 1) All 2 HP Dual Compressors require 240v dedicated electrical circuit.
- 2) Be advised a **Low Voltage Control Box IE Transformer** may be used in turning the Dental Air Compressor On and Off through the use of a **Low Voltage Switch Panel**. The power source (240V) will install in the Low Voltage Control Box and the Dental Air Compressor electrical cable will install in the Low Voltage Control Box, the Dental Air Compressor will turn On and Off by the Low Voltage Control Panel. See Diagram below.



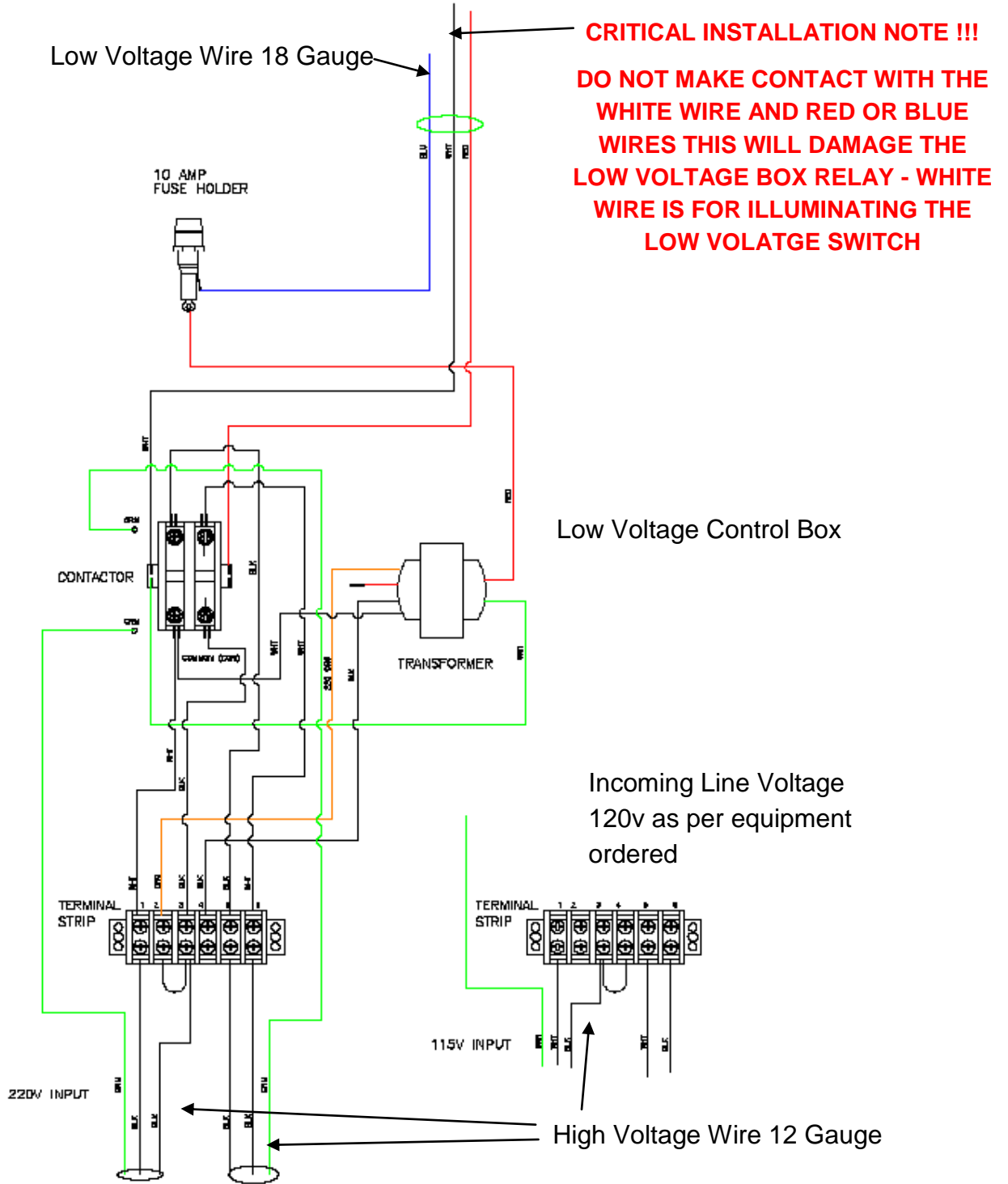
IT IS STRONGLY RECOMMENDED THAT A LICENSED ELECTRICIAN COMPLETE THE WIRING INSTALLATION OF ANY DHP DENTAL AIR COMPRESSOR

Electrical Connections

- 1) The DHP two horsepower Dental Air Compressor is shipped as a standard 240 volts (the two horsepower Dental Air Compressor is available in 240 volt only). Voltage lower than 220v recommended Boost Transformer.

DHP Low Voltage Control Box Schematics

Low Voltage Control Panel - 3 Switch



Incoming Line Voltage 240v as per equipment ordered

Outgoing to Compressor Line Voltage 120v or 240v as per equipment ordered