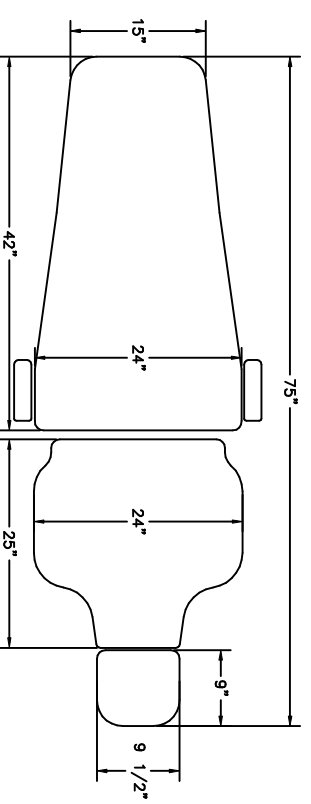
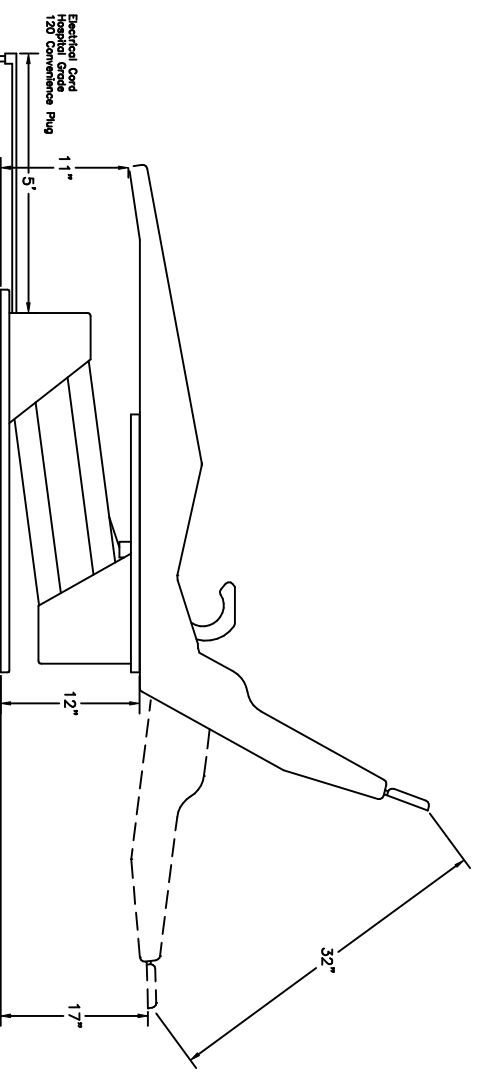
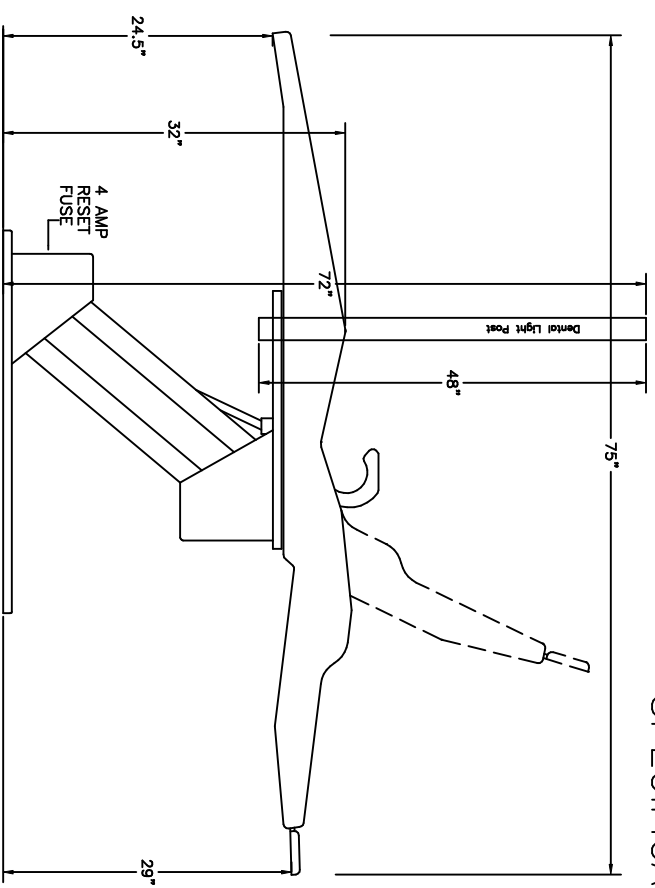


# AM3 Dental Chair SPECIFICATIONS



## SPECIFICATIONS

### CHAIR BACK MOTOR

- 115V-60HZ
- 1/8 HORSEPOWER
- SINGLE PHASE
- THERMALLY PROTECTED
- TIME RATING- INTERMITTENT DUTY
- 2 AMP

### BASE MOTOR

- 115V-60HZ
- 1/3 HORSEPOWER
- SINGLE PHASE
- RPM 3250
- THERMALLY PROTECTED CAPACITOR 68 MFD 440V
- TIME RATING- INTERMITTENT
- 4 AMP RESET FUSE
- 10YEAR WARRANTY-MOTOR