

America's Dental Equipment Company

Independence
Delivery System

Owner's Guide



Rev 2/15

Dansereau

(800)423 - 5657 / WWW.DHPDENTAL.COM

TERMS AND CONDITIONS

Dansereau Health Products has been manufacturing dental chairs, delivery systems and operating stools for over 40 years. We have compiled a significant amount of information regarding the installation and service of dental equipment. Although some of the information contained in this owner's manual may not pertain to your particular dental equipment the general information should be pertinent to all dental equipment as all dental equipment functions similarly.

Air Quality

The primary condition that will deteriorate a dental delivery system, regardless of the manufacturer, is contaminated compressed air. An air drying system-desiccant air dryer or a refrigeration air dryer, are the most recommended. The air drying system should be placed in conjunction with the oil or oil-less air compressor between the compressor and the dental units. Failure to use a drying system will result in a significantly shortened lifespan of your dental delivery system, as well as, your air driven handpieces.

Water Quality

Water quality is the secondary concern with regards to the lifespan of a dental delivery system. Water with a high mineral and alkaline content will cause a build up of mineral in the narrow ports of the micro-valves in the delivery system (regardless of the manufacturer). All manufacturers recommend a water filtration system for all water supplied to the dental delivery system. If a water filtration system is not available or is not cost-effective a distilled water system is a realistic alternative.

SPECIAL SERVICES

World Wide Toll-Free Access

Dansereau Health Products has instituted a toll free telephone service in the United States, Canada and Mexico. Our telefax line (909- 549-1411) is available 24 hours a day.

United States & Puerto Rico 1-800-423-5657 or 951-549-1400

Canada 1- 951-549-1400

Mexico 095- 951-549-1400

Customer Service

Dansereau Health Products customer service in-house technicians have a minimum of 10 years experience in the installation and maintenance of the Dansereau Health Products line of equipment.

Technical Support

Dansereau Health Products maintains an in-house General Contractor as well as a complete dental office design staff using the latest in computer-aided design drawing systems. Our in-house General Contractor has over 20 years experience in the construction of dental offices.

DELIVERY SYSTEM INSTALL

Independence Delivery System comes fully assembled.

Before you begin

- Verify the junction box plumbing meets local building codes
- Verify the air and water Angle Stops are installed
- If installed on cabinets verify the delivery system mounting does not impede use of the cabinets
- If wall mounting the delivery system wall backing is required for the horizontal anchoring. No less than 8 inches high from finished floor



Recommended Tools

- Electric Drill - Not Cordless
- 1/2" Concrete Drill - If mounting to concrete floor. If a wood floor is available use wood drill bit 3/8"
- 3/8 bolt with concrete lag or Red Head " bolting system
- 1/2" Ratchet with extension
- Phillips Screw Driver
- 1/2" Open End Wrench
- Razor Knife

INDEPENDENCE BRACKET INSTALL

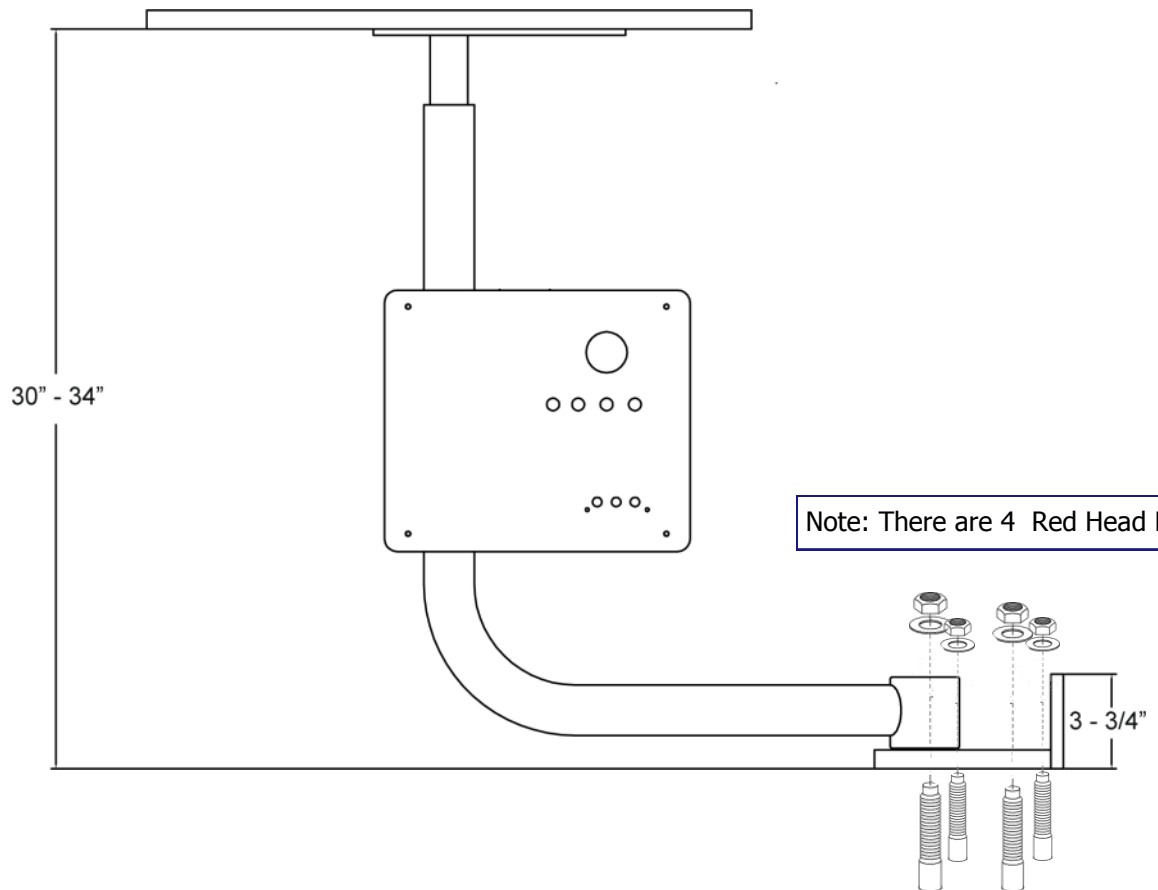
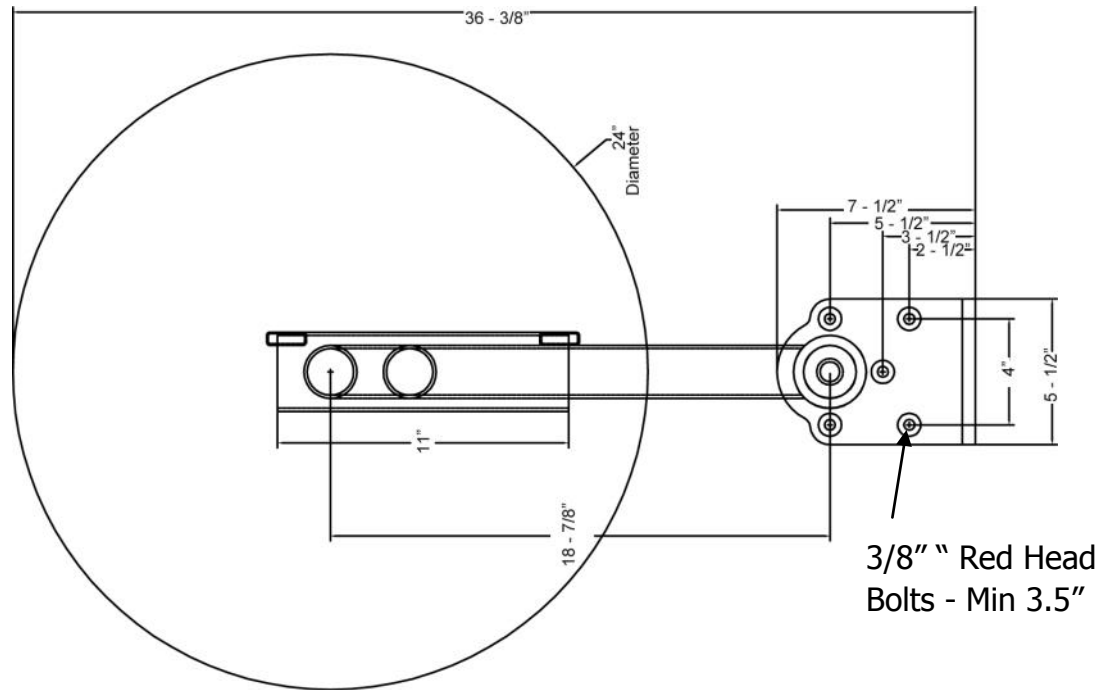
Simple Mounting Installation

- Place delivery with bracket in appropriate place. Usually centered on rear wall or cabinet
- Mark bracket holes to be drilled.
- Insert Red Head Bolts in drilled vertical holes
- Place unit and bracket on to Red Head Bolts
- Tighten the Red Head Nuts
- Begin Leveling Bracket
- If necessary insert shims under unit bracket
- Once vertical bolts are installed and the Mounting Bracket is verified to be leveled
- Install the horizontal bolts
- MOUNTING IS NOW COMPLETE

Unit Mounting Bracket

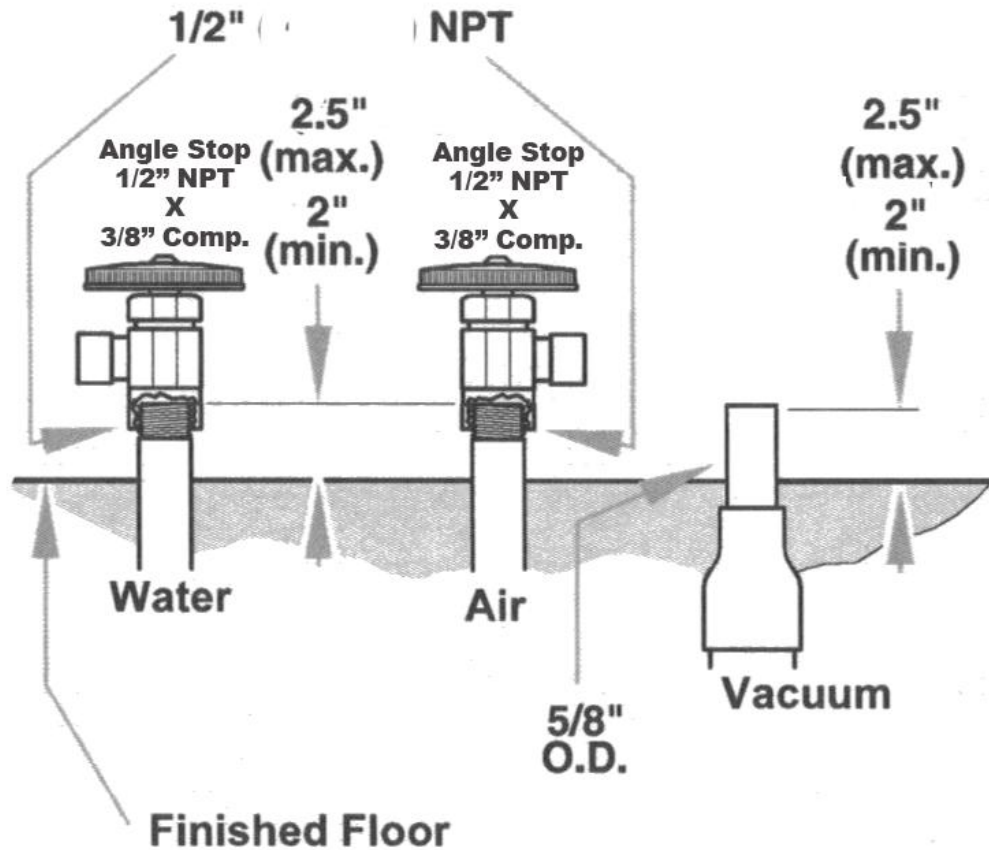


INDEPENDENCE BRACKET INSTALL

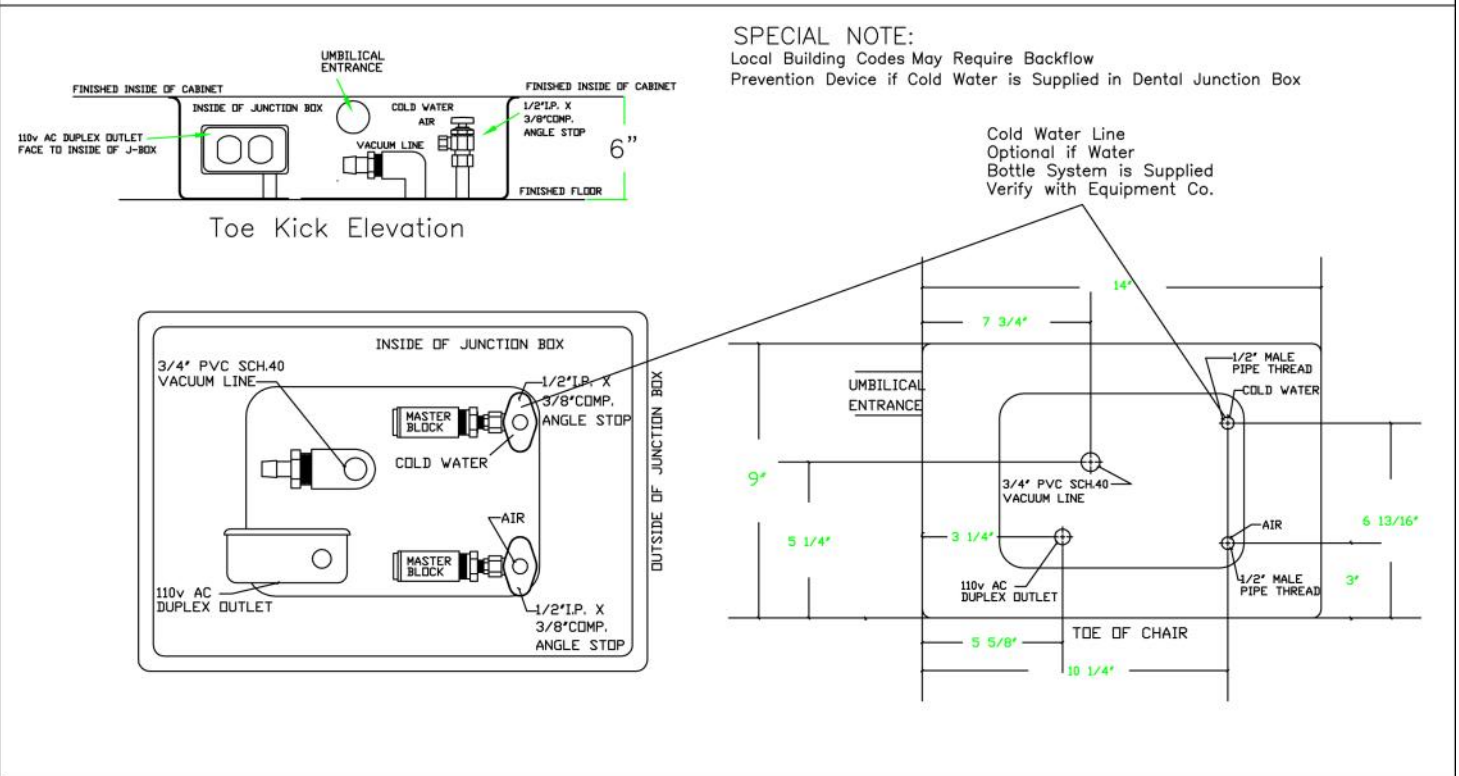


INDEPENDENCE J BOX SPECS

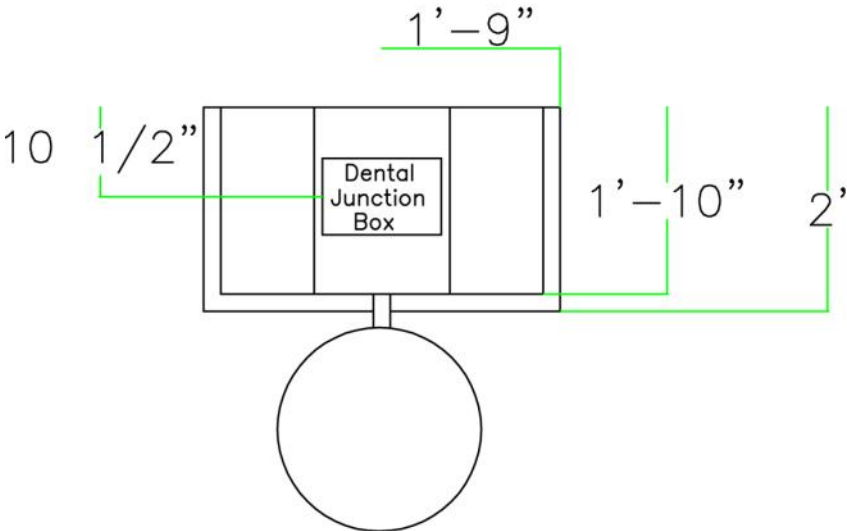
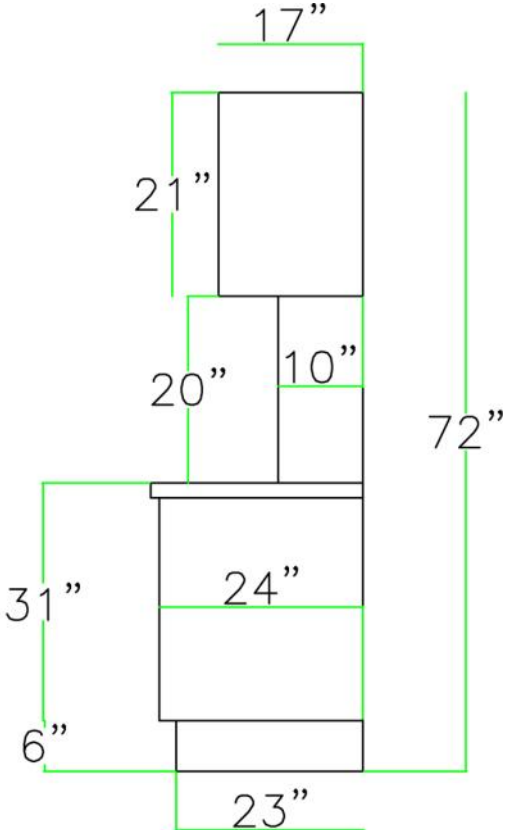
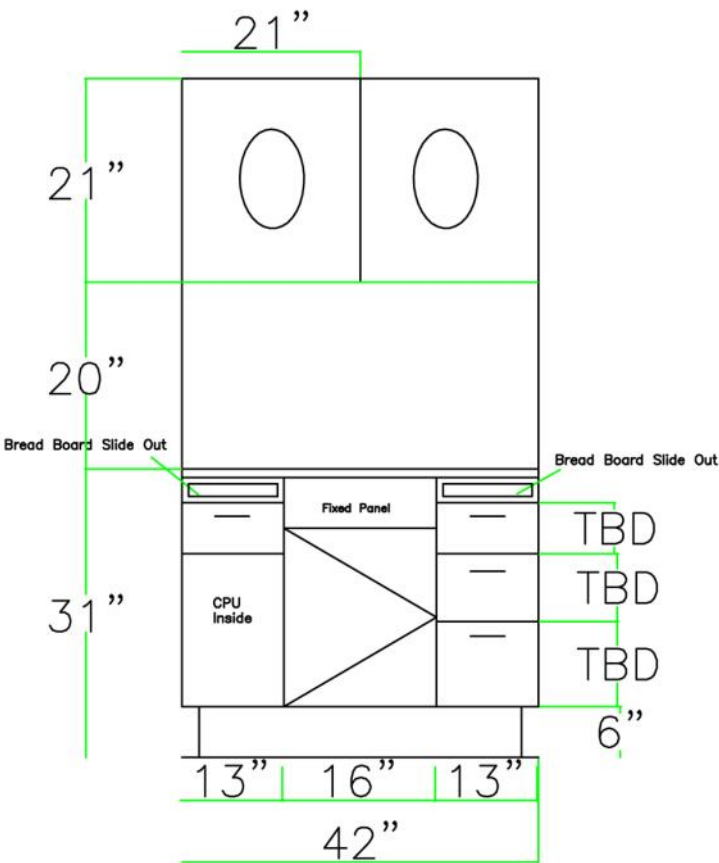
Plumbing Guidelines



Independence Delivery System Junction Box Specs



INDEPENDENCE CABINET SPECS



Cabinet Drawings are for guidance only. The measurements reflected above are suggestions to traditional cabinet dimensions. You should consider a qualified designer or cabinet manufacturer for exact specifications and measurements to guarantee your satisfaction.

DENTAL JUNCTION BOX

Simple Connections

- 1) Remove the Nut and Brass Sleeve from the Angle Stop



- 2) Slide Nut and Brass Sleeve on to the Master Valve Stem.

- 3) Insert Master Valve Stem into the Angle Stop & Tighten the Nut.



DO NOT OVER TIGHTEN

- 4) Slide on the HVE Tubing on to the Vacuum Line Fitting

- 5) Vacuum Tubing Properly Installed



You can use Lubricant if needed.

- 6) Slowly Turn on the Angle Stops for the Water and Air Lines. Check for leaks. If no leaks proceed to dental delivery system and verify operation.

DANSEREAU HEALTH PRODUCTS, INC.

AMERICA'S DENTAL EQUIPMENT COMPANY

Dansereau has the most comprehensive product warranty programs available in the dental industry today. We offer a 10 Year Warranty on our Dental Chairs and Delivery Systems with complete features listed below:

[5 Years 100% / 6-10 Years Prorated Annually](#)

Dental Chair Electric Motors, Chair Base Frame and Chair Frame

[3 Years 100% / 4-10 Years Prorated Annually](#)

Delivery System Internal Tubing (against leaks), Master Valve Regulators, Handpiece Control Blocks (Not Gaskets), Light Posts, Automatic Handpiece Holders, Delivery System Water and Air Flow Control Valves, Stool Cylinders, Manual Chair Switches, Delivery System Flex Arm, Delivery System Telescoping Arm, Cuspidor Frame.

[1 Year 100%](#)

Diamond Dental Light, Chair Foot Control, Stool Ring, Stool Seat, Stool Casters, Circuit Board and Prepositioning Switches

[6 Months 100%](#)

Base and Unit Covers parts, 3-way syringes, Delivery System Foot Control and Fiber Optics Systems.

[30 Days 100%](#)

Dental Light Bulbs, Fiber Optic Light Bulbs, X-ray View Box Light Bulbs

Broken or User Damaged Items are Not Covered under Warranty

[Minimum Maintenance is required in order to guarantee full use of warranties](#)

All dental delivery systems require clean dry air to allow the proper lifespan to the micro valves within the dental delivery system. If your air compressor does not have an adequate drying and filtration system the warranties of the micro valves, on/of toggle valves, relays, regulators, master valves, foot controls, 3 ways syringes and automatic blocks may be void.

GUARANTEE

Dansereau will guarantee against defects in material and workmanship. Defective parts will be repaired or replaced: no claim for labor or consequential damages will be allowed. All replacement parts claimed defective will be filled in the usual manner, such invoice being subject to adjustment after the alleged defective material has been returned and inspect by the manufacturer. The warranty does not cover damage resulting from improper installation, maintenance, accident or misuse.